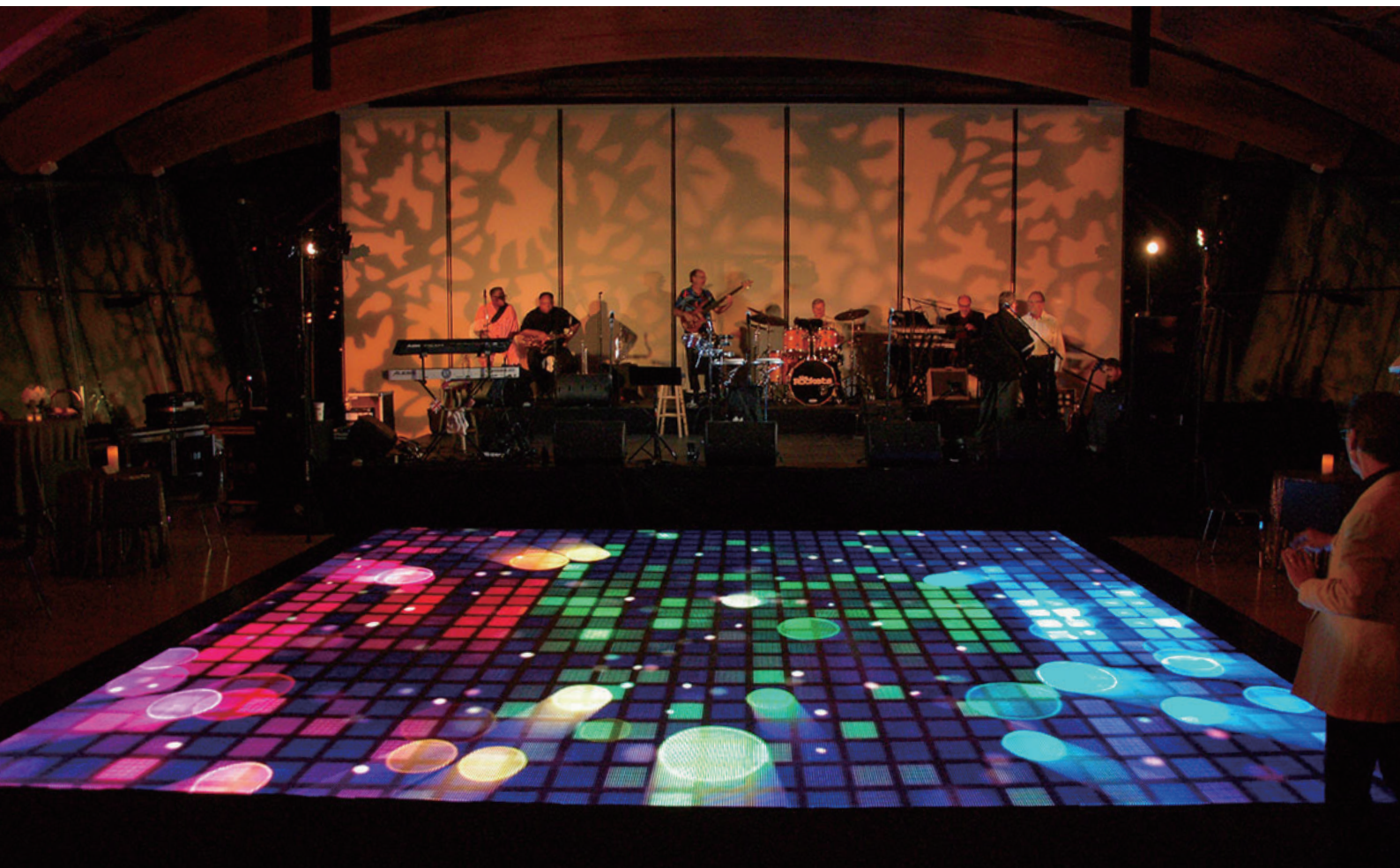


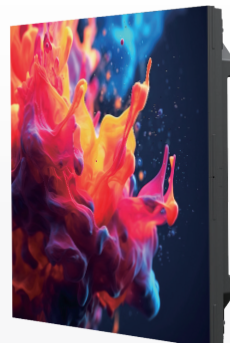


Leyard Europe ALF Series Aluminium Light Floor LED Display



High-Performance LED Floor for Immersive VR and Stage

Leyard ALF-S LED floor has the design of fast paving and front maintenance. It can be optional with dual power supply and dual signal for redundancy. It is modular design, efficient and reliable, and easy to maintain. In terms of display effect, it adopts a better grayscale chip, high refresh rate, and the maximum frame rate is 240Hz. The surface uses black crystal matte technology, which weakens the high reflection. With high contrast, it is created for VR vision. It is an important role in building an immersive image, and is very suitable for applications such as performing stage, studio and television station.



Functional Features

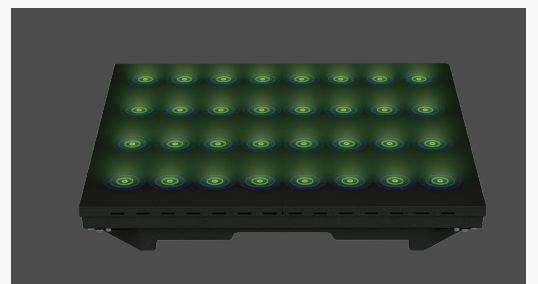
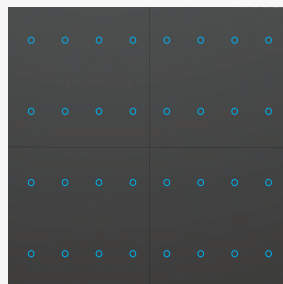


Interactive Sensing

- The module is equipped with interactive sensing chips, which are not affected by the ambient light and obstructions, and has strong anti-interference ability.
- High density interactive sensor chip layout, wide induced angle.
- All ALF-S pitch can achieve the interactive effect.
- Adopting UDP network broadcasting protocol, with simple software settings.
- High sensitivity, adjustable sensing threshold value.



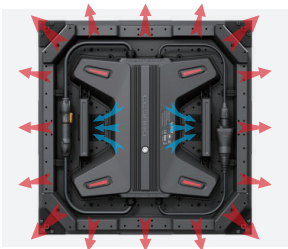
A real-time interactive LED floor with high sensitivity, wide induced angle, and rich interactive content. Each cabinet is equipped with 32 sensing chips embedded in the LED modules, and each module uses 4 interactive sensing chips, arranged as shown in the following figure:



Functional Features

Main Features

- Created for virtual shooting, the gray scale is up to 16bit, the maximum frame rate is 240Hz, which is an important choice for building immersive display.
- Shutter synchronization technology and 1 frame ultra-low delay.
- It supports stepless adjustment of color temperature to match the lighting environment of the studio and XR working station.
- The standard BT709 DCI-P3 color gamut is supported.
- Full gray scale correction technology makes the transition of display screen more delicate and smooth.
- Real-time dynamic engine technology can process SDR source into HDR display effect.
- Product design is sturdy, high strength, compression resistance and impact protection.
- High precision positioning enable seamless splicing easy. With elastic cushioning rubber pieces, they reduce vibration and impact noise.
- Dual power supply and dual signal redundancy can be optional to improve system stability.
- Double air ducts+high efficiency cooling design ensure the heat dissipation.



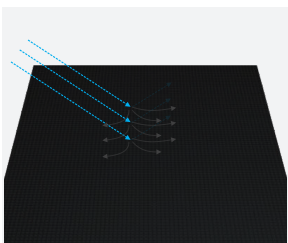
Aluminum Easy Cooling

- Aluminum alloy;
- Fast cooling design;
- Stable and safe.



Redundancy Signal&Power

- Hot backup;
- Nanosecond switch;
- Perfect reliability;



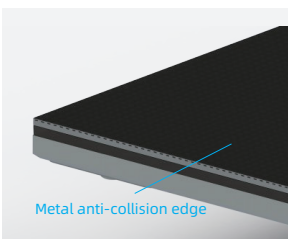
High Contrast with GOB Technology

- Black crystal matte mask technology;
- Reduce reflection;
- Smooth quality image;



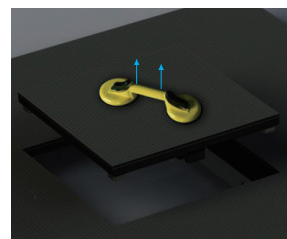
High Bearing Pressure

2000kg/m² load-bearing is capable.



Edge Protection

Metal frame is added around the PCB board to truly prevent collision.

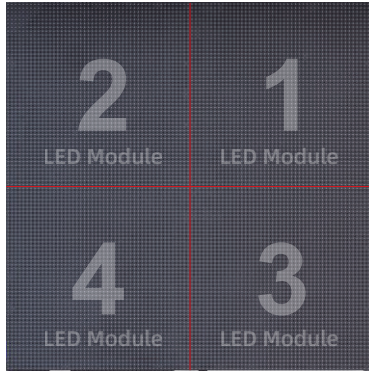


Front Service

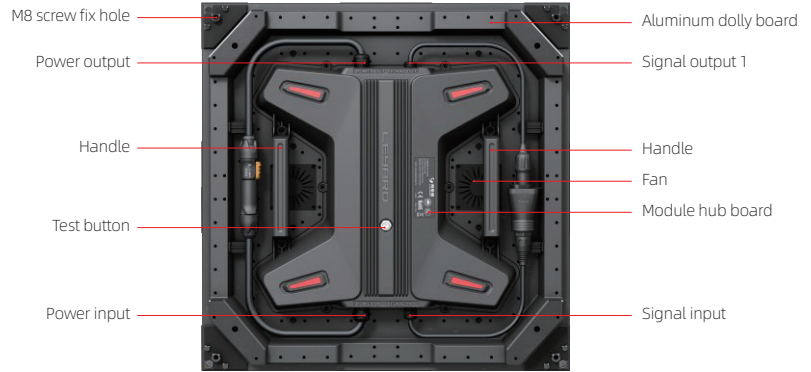
Lift whole cabinet easy.

Appearance Description

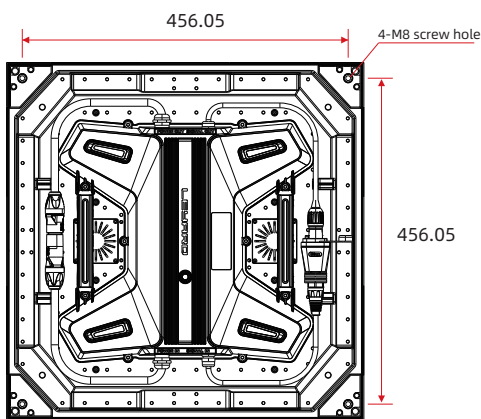
LED Modules



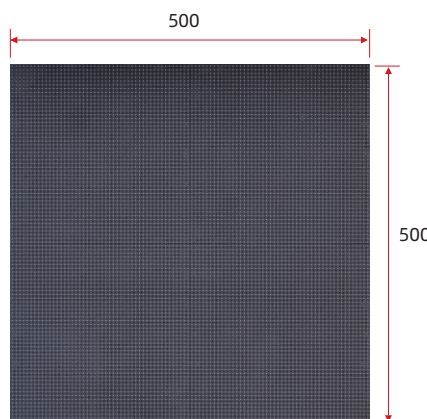
Front view



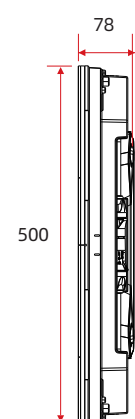
Back view



Back side

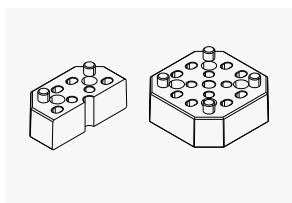


Front side

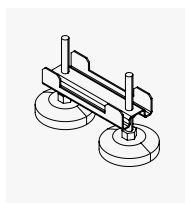


Side

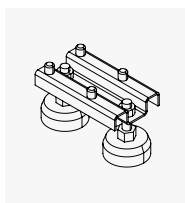
Installation Accessories



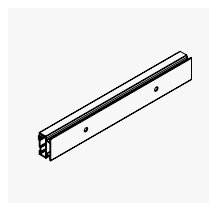
Base corner connection plate



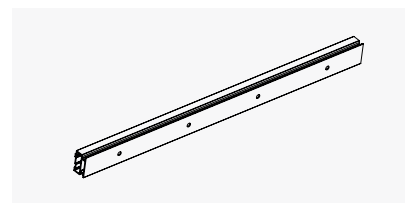
Middle footcup



Side footcup

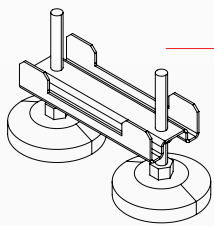
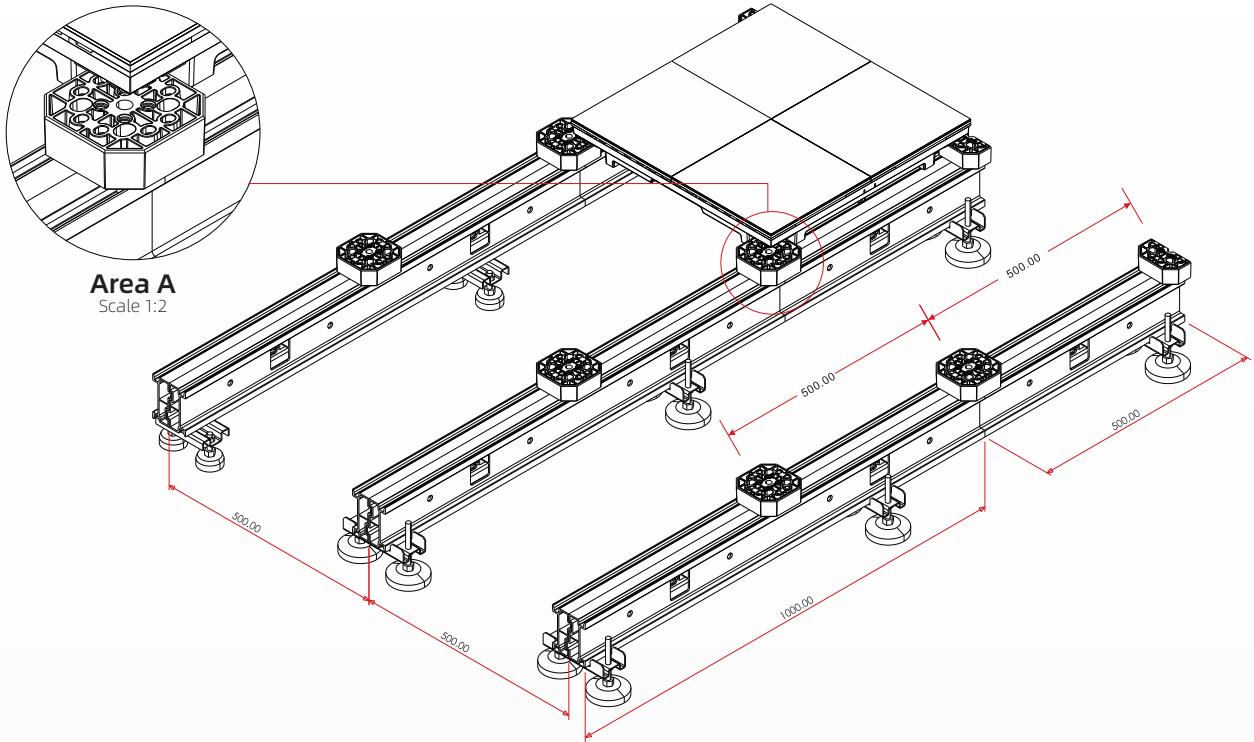


Short rail
L=0.5m

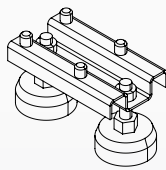


Short rail
L=1m

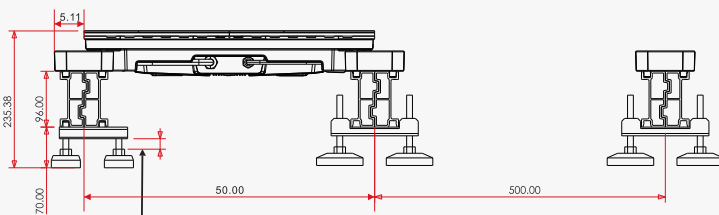
Installation



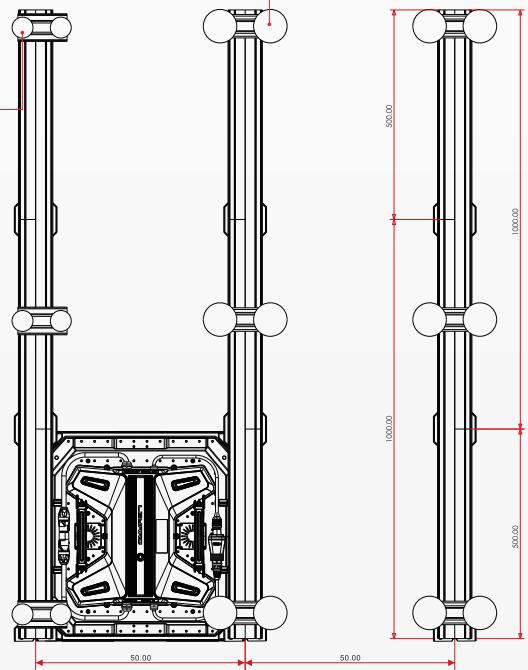
Middle footcup



Side footcup



+ - 20mm adjustable



SPECIFICATIONS

Item	ALF1.3-S	ALF1.5-S	ALF1.9-S	ALF1.9-S	ALF2.6-S	ALF2.6-S	ALF3.9-S	ALF5.2-S
LED Type	SMD1010	SMD1212	SMD1515 (High Brightness)	SMD1515 (Common Brightness)	SMD1515 (High Brightness)	SMD1515 (Common Brightness)	SMD2121	SMD2121
Pixel Pitch(mm)	1.38	1.56	1.95	1.95	2.60	2.60	3.90	5.20
Pixel Density/m ²	518400	409600	262144	262144	147456	147456	65536	36864
Panel Resolution (pixels)	360x360	320x320	256x256	256x256	192x192	192x192	128x128	96x96
Panel Size (W x H x D/mm)	500x500x74	500x500x74	500x500x78	500x500x78	500x500x78	500x500x78	500x500x74	500x500x74
Power Supply	Single PSU& card; Dual PSU& card (optional)							
Panel Weight (kg/panel)	11	11	11	11	11	11	11	11
Module Quantity / cabinet	4pcs	4pcs	4pcs	4pcs	4pcs	4pcs	4pcs	4pcs
Module Size(WxH/mm)	250x250	250x250	250x250	250x250	250x250	250x250	250x250	250x250
Weight/module(kg)	0.5	0.5	0.5	0.5	0.5	0.5	0.5	0.5
Brightness Max (cd/m ²)	500	700	1000	700	1000	700	1000	1000
Color Temp (Calibrated)	Std:6500K							
Color Temp Range	3000-9000K							
Contrast Ratio	3000:1							
Viewing Angle(deg)	H140/V140							
Grey Scale	14bit							
Refresh Rate	≥3840Hz							
Frame Frequency	50/60Hz							
Scan Rate	1/30	1/32	1/16	1/16	1/12	1/12	1/16	1/6
Working Voltage	100-240V AC, 50/60Hz							
Power Maximum (W/m ²)	800							
Power Avg (W/m ²)	270							
Operating Temp/Humidity	-20 to 40°C 10%-90%							
Storage Temp/Humidity	-35 to 60°C 10%-85%							
Cabinet Structure Material	Aluminum Dolly							
IP Protection	IP40							
Service Ability	Front							
Vertical Weight Capacity(Kg)	2000kg /m ²							
Application Mode	Fix, Rental							
Installation Mode	LED Floor							
Lifetime(H)	100000							

Remark: Above data is subject to change without prior notice