

Planar LookThru Transparent OLED Display



Transparent OLED Display Creates Truly See-Through Installations

The Planar® LookThru® Transparent Display makes it possible to create truly see-through installations with a virtually frameless glass design by utilizing cutting-edge Organic Light Emitting Diode (OLED) technology, eliminating the need for a backlight or enclosure.

With a 55" diagonal, Planar LookThru features bright, vibrant colors greater than 120 percent National Television System Committee (NTSC) performance, as well as wide viewing angles with no off-axis contrast or brightness limitations. The display provides Full HD resolution, delivering beautiful graphics and full-motion video.

Planar LookThru can be used in both portrait and landscape modes, table top or ceiling mount and can be tiled to create large, eye-catching video wall arrays. Corning® Gorilla® Glass is optically bonded to the display using Planar® ERO-OLED™ (Extended Ruggedness and Optics™) technology to create a highly durable display and accommodate touch screen usage for interactive applications.

Planar LookThru displays are available with a wide range of accessories, expanding the application capabilities. The accessories include four tiling components that cater to multi-display tiling designs featuring flat or corner configurations. In addition, other accessories available include Base Plates for securing Planar LookThru displays to ceilings and a Platform Cover that creates a staging surface for items placed behind the display while protecting Planar LookThru electrical components.

PLANAR LOOKTHRU OLED SPECIFICATIONS

Model	LO552	LO552-S
Viewable size	55" diagonal	
Display resolution	Full HD (1920 x 1080)	
Display type	Active Matrix Organic Light-Emitting Diode (AMOLED)	
Surface Treatment	Planar® ERO-OLED™ using Corning® Gorilla Glass®	
Peak White Brightness	500 cd/m²	
Video Inputs/External Connections	HDMI x4, Display Port x1	
Control and Monitoring	IR, RS-232, USB, LAN, Crestron module	

Planar LookThru Configurations

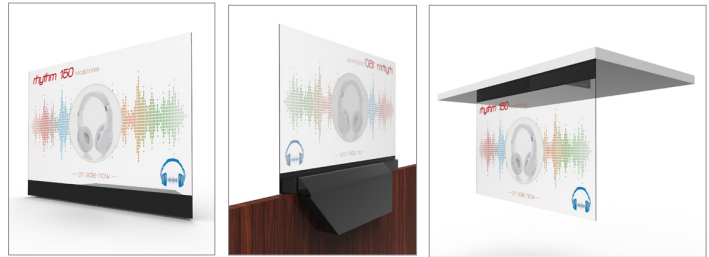


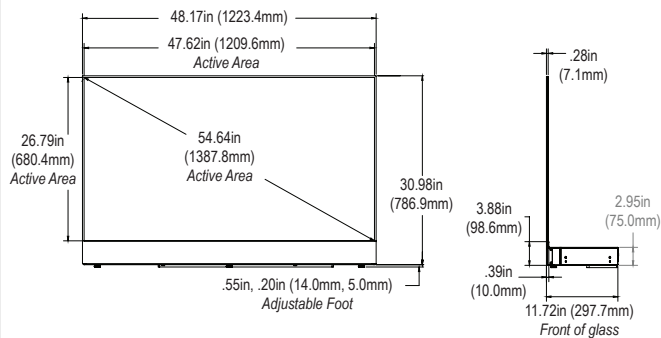
Table Top (Standard)

Straight Mount

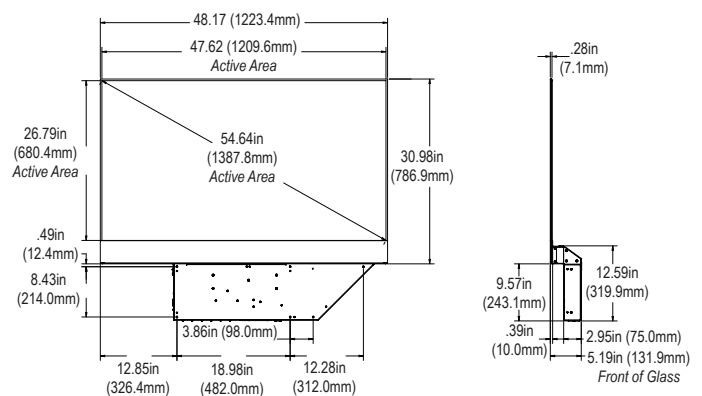
Ceiling Mount (Standard)

Planar LookThru Standard and Straight Mount Dimensional Drawings

Standard Mount (LO552)



Straight Mount (LO552-S)



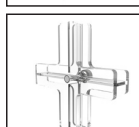
Note: Additional drawings available at www.planar.com/lookthru

Accessories and Hardware for Planar LookThru Standard Configurations

Edge Tiling Component for Flat Configuration
Part Number 935-0422-XX



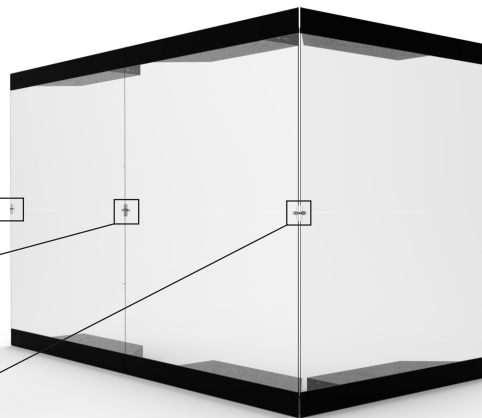
Center Tiling Component for Flat Configuration
Part Number 935-0421-XX



Center Tiling Component for Corner Configuration
Part Number 935-0423-XX



Edge Tiling Component for Corner Configuration
Part Number 935-0424-XX
(not shown)



Base Plates
Part Number 935-0425-00



Platform Cover
Part Number 955-0595-00

